

Woodman Planer TH410HH 16"

WOODMAN



Optional Mobile Base



Features

408mm (16") width of cut

Depth of cut digital readout with tape backup

TCT helical cutter head - 72 cutters

Knives - (15 x 15 x 2.5mm tungsten – Radius

Mechanical adjustment of bed

2 in/out feed roller extension tables

Micro switch fitted to top safety guard

OPTIONAL - Mobile Base

Specifications

Motor: 3 HP, 1 PH, 240V, 15 AMP

Table: 600 X 410mm plus in/out feed rollers

4 Rows of 18 helical knives = 72 total

Feed Speed: 5 -7 metres / min

100mm dust-hood

Max removal: 3mm (1/8") per pass

Min-Max: 4.8— 225mm (3/16" – 6")

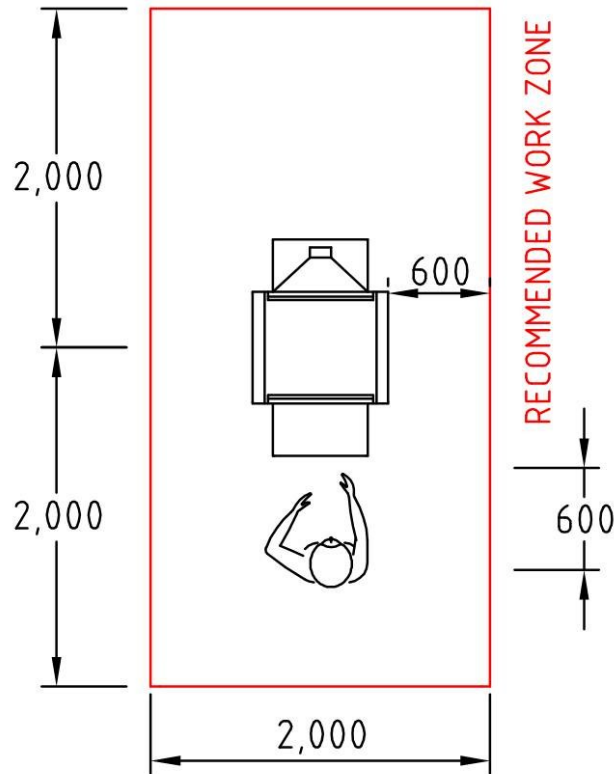
Dimensions: 875 x 1400 x 1125mm high

Weight: NW 230 kg

Woodman Planer TH410HH 16"

WOODMAN

LAGUNA LT16
THICKNESSER



Helical cutter block significantly reduces noise level in classrooms



Rear mounted emergency stop